



SpanTech

P.O. Box 369 • Glasgow, KY 42142
270.651.9166 • www.spantechconveyors.com

OUTLAST. OUTPERFORM. OUTDELIVER.

FOR IMMEDIATE RELEASE

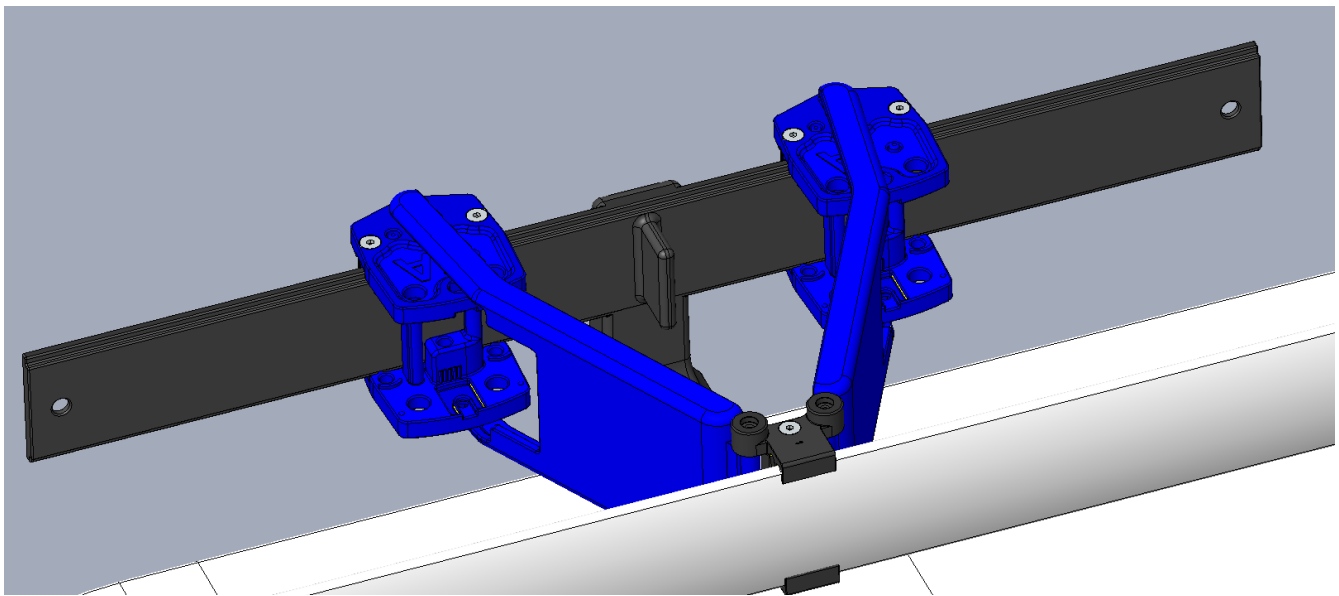
Seth Bailey
Span Tech LLC
270-629-3415
seth_bailey@spantechllc.com

SpanTech LLC Launches New “EZGUIDE™” Adjustable Guide Rail System.

A New More Efficient Alternative to Conveyor Guide Rail



Glasgow, KY | November 11, 2020: Span Tech LLC is introducing a new line of adjustable guide rail to the marketplace – “EZGUIDE™”. This technology has several unique features which makes it a very compelling product for the marketplace.

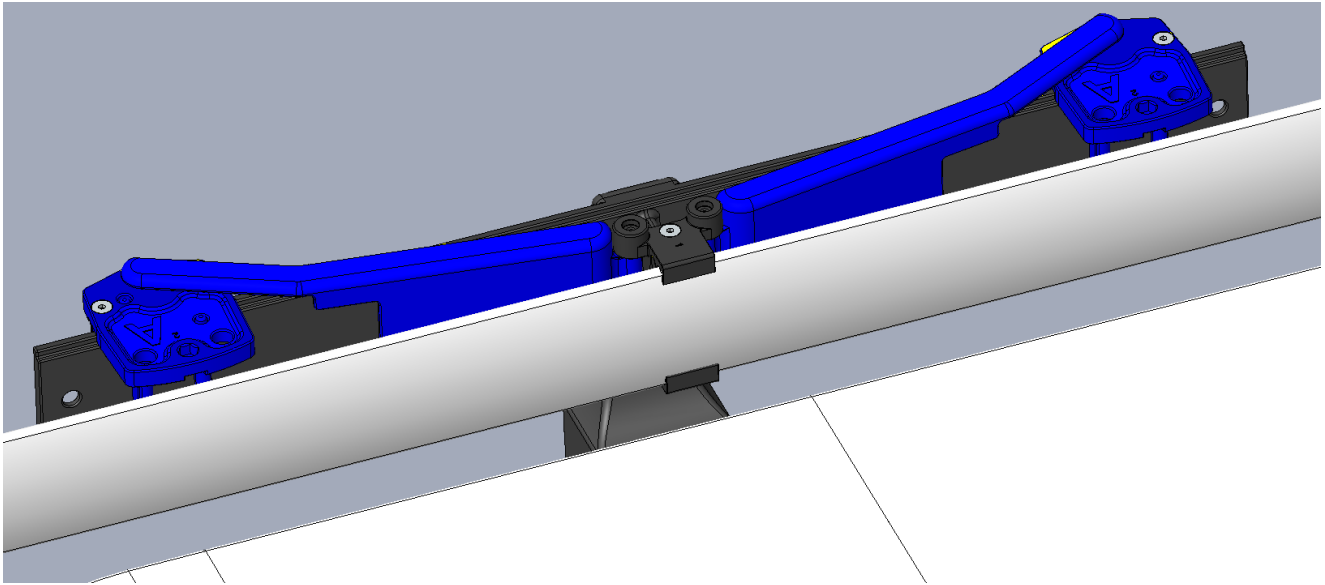




SpanTech

P.O. Box 369 • Glasgow, KY 42142
270.651.9166 • www.spantechconveyors.com

OUTLAST. OUTPERFORM. OUTDELIVER.



The most notable feature of the EZ Guide™ system is it **does not have any protruding brackets or shafts** which could be a major safety hazard. Traditional guide rail systems use a solid-mounted shaft to mount their guide rail. When the rail is adjusted to its “retracted” position, these shafts stick out from the sides of the conveyor, becoming a place where someone can easily get their clothes or other body parts caught. The EZ Guide™ system does not have any mechanical components which protrude from the sides of the conveyor during adjustment. All the mechanics are done without the need to protrude past the conveyor, keeping everything safe for those walking close to the conveyors.

Another feature of EZ Guide™ is it is designed to **remain adjustable through curves**. That is, the radius of the guides can change as the guide width is increased/decreased in the curve. While there are many traditional guide rail systems which can be made to adjust their width in straight sections, there are very few that can truly be adjustable through a curved portion of conveyor. The reason is because changing the radius of a section is difficult – the guides must bend, and the length of the guide has to increase/decrease as the radius is changed. The EZ Guide™ system handles both of those problems with its unique design.

About SpanTech, LLC: Renowned for durably-designed plastic chain conveyors and industry leading innovation in material handling, Span Tech is a recognized global leader in developing unique and customizable technical solutions for processing applications in core industries which include: food & beverage production, manufacturing, packaging, distribution, cosmetics, pharmaceuticals and e-commerce. To keep up with all of our innovative ideas [subscribe](#) to our newsletter.

Contact us at 270.651.9166 | info@spantechllc.com, or visit us online at www.spantechconveyors.com.

###